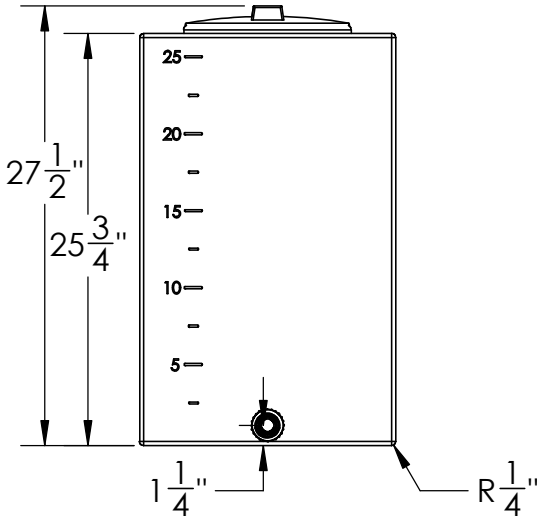
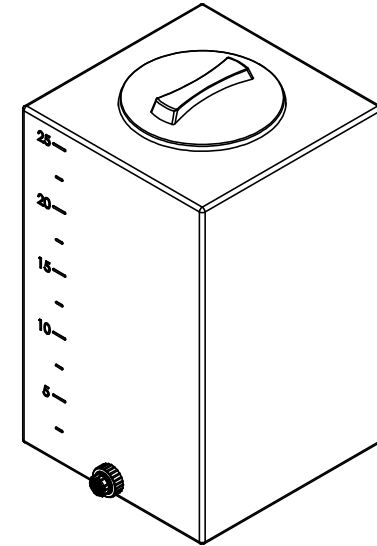
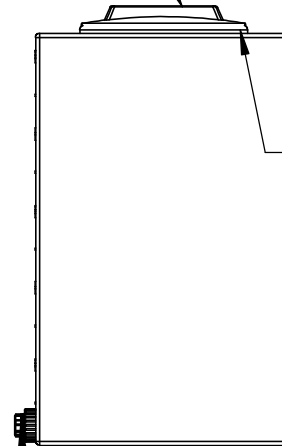


8" Closed Non-Vented Lid
#970325



8" Lid Ring with Gasket
#970325



3/4" Bulkhead PP Fitting
#970233

Rectangular Utility Tank
w/ Fitting &
Gasketed Ring & Lid



1390 Neubrecht Road
Lima, Ohio 45801

STOCK NO.
23701, 23703, 23704

REV
A

DO NOT SCALE DRAWING

WEIGHT: 16 lbs.

DIMENSIONS ARE IN INCHES
TOLERANCE: ± 1/4"

MATERIAL
LLDPE - FDA resin

CAPACITY
25 Gallon

GRADUATIONS
2.5 Gallon

NOMINAL WALL THICKNESS
3/16"

	NAME	DATE
DRAWN	NJV	4/25/24
APPROVED		
REVISIONS		

COMMENTS:
Natural
UV Stabilized

PROPRIETARY AND CONFIDENTIAL

THE INFORMATION CONTAINED IN THIS DRAWING IS THE SOLE PROPERTY OF TAMCO. ANY REPRODUCTION IN PART OR AS A WHOLE WITHOUT THE WRITTEN PERMISSION OF TAMCO IS PROHIBITED.

MAX. OPERATING TEMP. 140°F
INTERMITTENT SERVICE TO 160°F
SEE CHEMICAL RESISTANCE
CHART FOR COMPATIBILITY